

TECHNOLOGY

**HOLYKELL®**

**TS401**  
**TEMPERATURE**  
**• DATASHEET •**

**1. Pressure Measurement 2. Level Measurement 3. Temperature Measurement**  
**4. Flow Measurement 5. Display & Control Instruments**  
**6. Wireless Monitoring System 7. Velocity Measurement**

# TS401

## Intelligent Temperature Switch

### Applications

- Industrial automation control
- Chemical industry
- Laboratory equipment
- Automatic detection system
- HVAC systems
- Oil and gas industry
- Water treatment plants
- Pharmaceutical industry



### Profile

TS401 intelligent temperature switch is a temperature controller that provides dual normally open/normally closed digital switch outputs, digital temperature display, and 4-20mA current output.

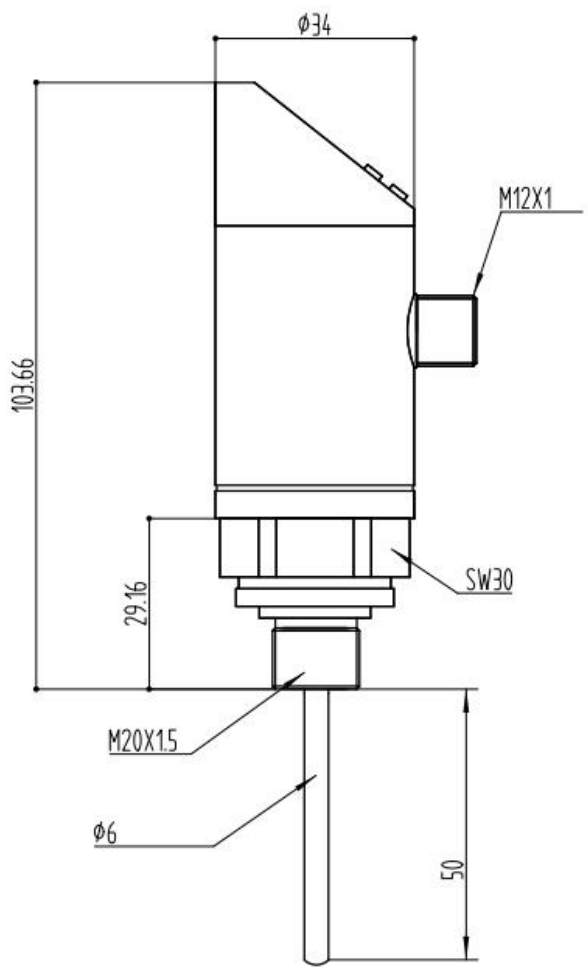
### Features

- Elegant and compact design
- Flexible temperature display: selectable units for temperature display.
- On-site programmable switch thresholds: Switch parameters like normally open/normally closed can be set on-site.
- Switch function modes: supports both hysteresis and window modes.
- Versatile 4-20mA output and adjustable corresponding temperature points.
- Quick on-site zero calibration and easy unit switching.
- Switch signal damping and signal filtering algorithm.
- On-site programmable temperature sampling frequency
- Flexible switching between NPN and PNP.
- 180° display information rotation
- 300° instrument body rotation

### ■ Specifications

Temperature Range	-50°C ~ 150°C
Power Supply	12~30VDC, recommended 24V
Accuracy	0.5%F.S
Overload Capacity	150~300% FS
Insulation Resistance	≥200MΩ/500V
Output	4~20mA + PNP/NPN
Power Consumption	≤12mA
Pressure Interface	M20x1.5
Electrical Connection	5-pin aviation plug (M12-5 pins)
Rod Length	50mm
Switching Alarm Value	Can be freely set within the range as required

### ■ Dimensions and Drawing



Unit, mm  
Tolerance not specified: +0.2mm

### ■ Electrical Connection

