

TECHNOLOGY

HOLYKELL®

PS302

PRESSURE

• DATASHEET •

1. Pressure Measurement 2. Level Measurement 3. Temperature Measurement
4. Flow Measurement 5. Display & Control Instruments
6. Wireless Monitoring System 7. Velocity Measurement

PS302 Digital Pressure Switch

Applications

- Hydropower
- Tap water
- Machinery
- Hydraulic
- Automation control
- Chemical industry
- Laboratory equipment
- HVAC systems
- Oil and gas industry
- Water treatment plants



Profile

PS302 digital pressure switch is an advanced device designed to monitor and control pressure in various applications with high precision and reliability. This modern switch combines traditional pressure monitoring with intelligent features, making it highly versatile and user-friendly.

Features

- High precision up to 0.5%F.S
- Adjustable response time
- NPN, PNP compatible, free switching
- Button operation, shortcut button for one-click zero calibration, fast unit switching
- OLED shows the current pressure
- LED for node action, easy to observe

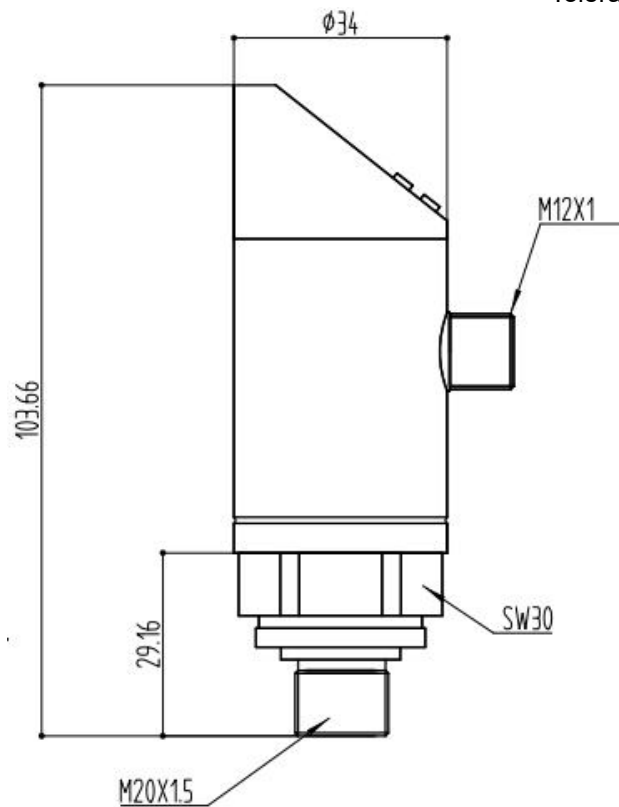
■ Specifications

Measuring Range	0~1MPa
Power Supply	12~30VDC, recommended 24V
Accuracy	0.5%F.S
Overload Capacity	150~300% FS
Insulation Resistance	≥200MΩ/500V
Output	4~20mA + PNP/NPN
Power Consumption	≤12mA
Pressure Interface	M20x1.5
Electrical Connection	5-pin aviation plug (M12-5 pins)
Switching Alarm Value	Can be freely set within the range as required

Dimensions and Drawing

Unit, mm

Tolerance not specified: +0.2mm



Electrical Connection

