

## HTS100 Series High Performance Temperature Sensors



HTS101  
(Resistive signal type)



HTS102  
(Integrated Type)



HTS103  
(Integrated Isolated Type)



HTS104  
(Integrated Display Type)

### Characters:

- ☆ Simple installation and multifarious-temp scope
- ☆ Gas and liquid medium available
- ☆ Medium compatible 304 stainless steel
- ☆ Excellent long time stability and lower consumption
- ☆ Smaller dimension and Compact structure
- ☆ Response fast and high accuracy
- ☆ Various linear analog signal output optional
- ☆ Highly-efficient RFI & EMI resistance
- ☆ Automotive compensation digital circuits
- ☆ And so on

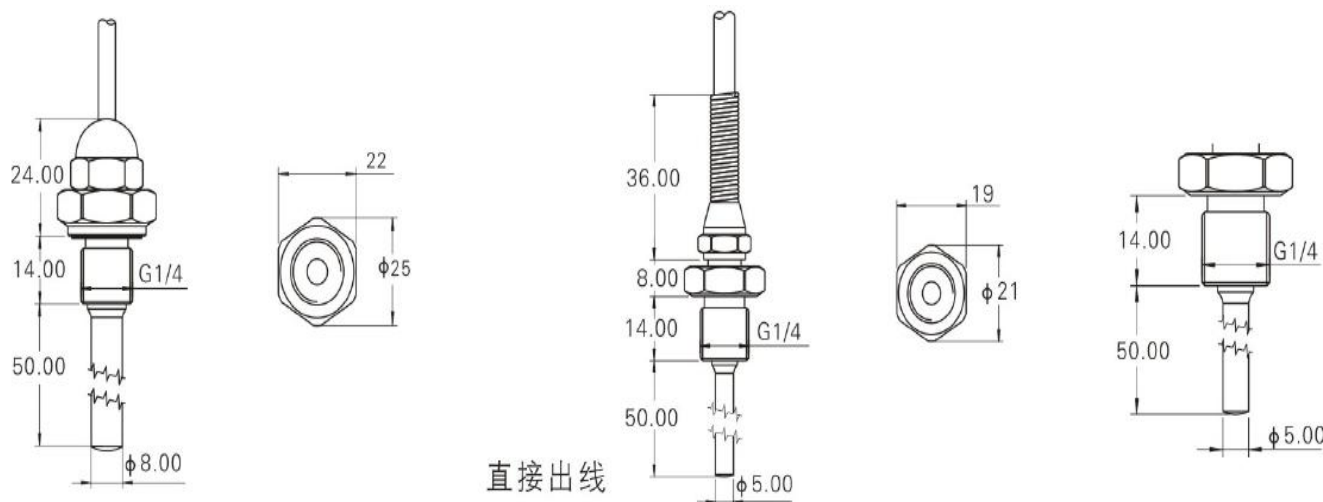
### Applications:

- ★ pipeline and ventilation system
- ★ Hydraulic and pneumatic system
- ★ Petrochemical industry
- ★ Hydraulic and pneumatic systems
- ★ Cooling system
- ★ Heating system
- ★ Air Conditioning System (HAVC)
- ★ Automatic system temperature measurement and control
- ★ Agricultural Greenhouses application
- ★ And so on

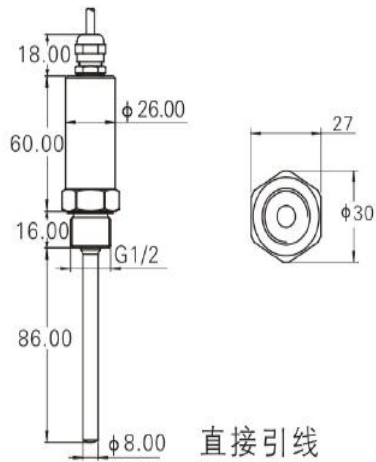
**I . Specifications:**

Model:	HTS101	HTS102	HTS103	HTS104
Parameter:				
Measurement Range (Degree C/ °C):	-50~0; -50~50; 0~80; 0~100; 0~120;0~150	0~200 optional	0~250; 0~300; 0~400 optional	-50 to 400 optional
Installation Type:	Insert type	Insert type	Insert type	Insert type
Probe length:	50 mm or customized	50 mm or customized	50 mm or customized	50 mm or customized
Probe Dimension:	Φ6; Φ8 optional	Φ6; Φ8 optional	Φ6; Φ8 optional	Φ6; Φ8 optional
Sensor Type:	PT100; Pt1000	PT100; Pt1000	PT100; Pt1000	PT100; Pt1000
Signal Output:	resistive signal	4-20 mA	0-5V	0-10V
Signal wires type:	2 wires or 3 wires	2 wires	3 wires	
Power supply:	NA	9~30Vdc		18~30Vdc
Linear:	±0.1%F.S.; ±0.25%F.S.; ±0.5%F.S. Optional			
Working pressure:	40Bar (standard); 300 Bar (customized)			
Long time stability:	0.1%F.S.			
Response time:	T=50 2.3S; T=90 5.4S			
Electronic proof:	NA	Reverse polarity protection; Overload voltage protection (standard); surge protection (customized)		
Environment tem.p:	-40~85 Degree C			
Storage temp.:	-40~125 Degree C			
Materials of housing:	304 Stainless Steel			
Materials of process:	304 Stainless Steel			
Water proof grade:	IP65			

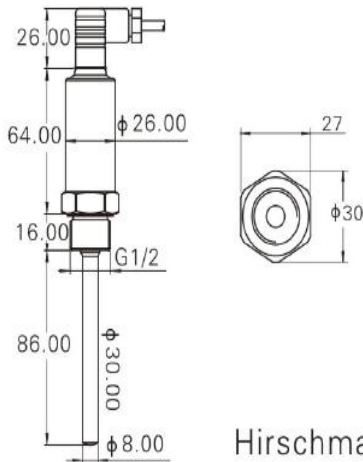
**II . Dimension and Drawing:**



**HTS101 Dimension**

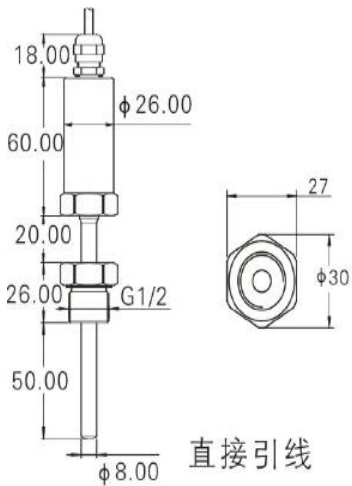
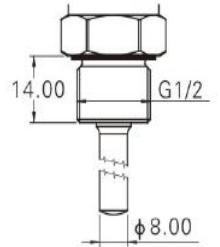
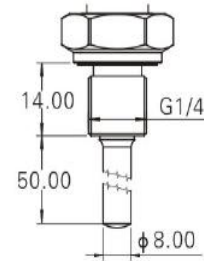


直接引线

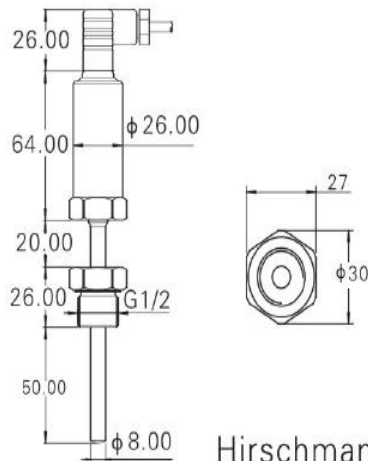


Hirschmann连接器

**HTS102 Dimension**

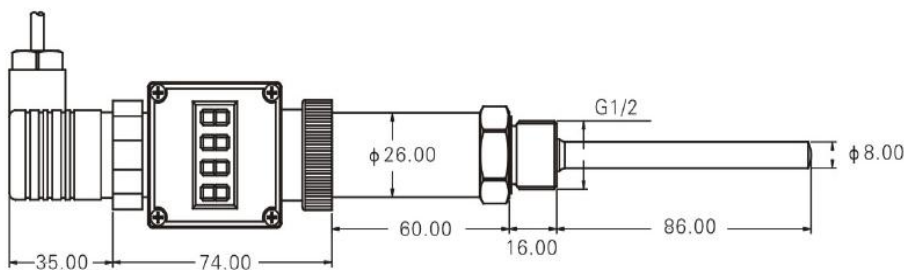
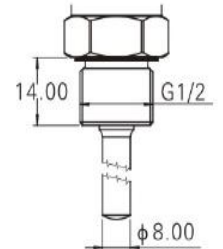


直接引线



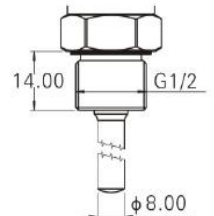
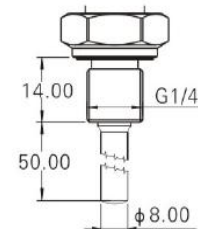
Hirschmann连接器

**HTS103 Dimension**



Hirschmann连接器

**HTS104 Dimension**



III. Model Code Selection Table:

HTS		High Performance Temperature Sensors					
	101	Temperature Sensor (resistive signal type $\Omega$ )					
	102	Integrated Type Temperature Sensor					
	103	Integrated Isolated Type Temperature Sensor					
	104	Integrated With Local Display Type Temperature Sensor					
		<b>Range Code</b>	<b>Temp range</b>	<b>Ref.</b>	<b>Range code</b>	<b>Temp range</b>	<b>Ref.</b>
		01	-50~0	101/102/104	06	0~200	101/102/104
		02	-50~+50	101/102/104	07	0~250	101/102/104
		03	0~80	101/102/104	08	0~300	103/104
		04	0~100	101/102/104	09	0~400	103/104
		05	0~150	101/102/104	10	By customized	103/104
		<b>Code</b>	<b>Accuracy</b>				
		1	0.5%F.S. (standard type)				
		2	0.25%F.S. (customized type)				
		<b>Code</b>	<b>Process connection</b>				
		8	M20x1.5 male		9	G1/2" male	
		6	G1/4" male		3	1/4"NPT male	
		10	1/2"NPT male		X	By customized	
		<b>Code</b>	<b>Signal Output &amp; Power Supply</b>				
		E0	1-5 V (3 wire) /11~33 V DC				
		E5	4-20 mA (2 wire) /12~33V DC				
		E6	0-5 V (3 wire) /12~33 V DC				
		E7	0-10 V (3 wire) /18~33 V DC				
		E8	0.5-4.5V (3 wire) /5 V DC				
		E29	Resistive Signal $\Omega$				
		X	By Customized				
		<b>Code</b>	<b>Electronic Connection</b>				
		H	Hirschmann Box IP65				
		M	M12 4Pins Connector IP65				
		D	Directly outlet cable IP67				
		P	Packard 3Pins Connector IP65				
		A	AMP Connector IP45				
		<b>Code</b>	<b>Probe Length (mm)</b>				
		050	50 mm				
		XXX	By customized				
		<b>Code</b>	<b>Probe Diameter (mm)</b>				
		6	6 mm				
		8	8 mm				
		<b>Code</b>	<b>Temp Units</b>				
		C	Degree C/ $^{\circ}$ C				

									<b>F</b>	°F	
										<b>Code</b>	<b>Cable Length (meter)</b>
										<b>003</b>	3 meters
										<b>XXX</b>	By Customized
<b>HTS</b>	<b>102</b>	<b>04</b>	<b>1</b>	<b>2</b>	<b>E5</b>	<b>D</b>	<b>050</b>	<b>6</b>	<b>C</b>	<b>003</b>	<b>Others Remarks</b>

Example Model Code: HTS102-04-1-2-E5-D-050-6-C-003(3 Meters cable)